

HANGS UP TO  
**90**  
POUNDS

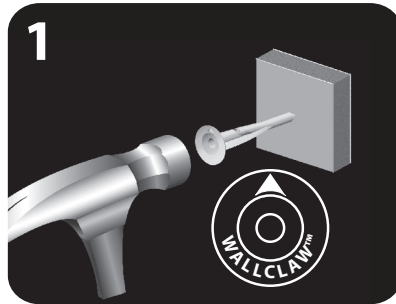


 Made in USA

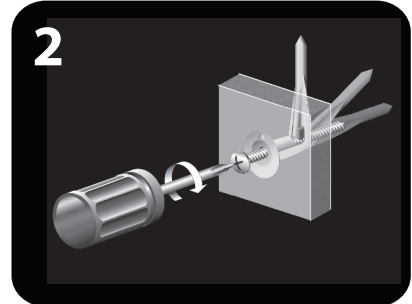


## WallClaw Hammer-In Drywall Anchors

For hanging kitchen or bathroom accessories,  
wall decor, pictures, etc.



**1**  
Tap anchor into wall with  
top (arrow) up.



**2**  
Attach fixture with included  
blunt tip screws.

- 90 lbs. maximum hanging load is only a guide.
- Maximum load may vary, based on quality/thickness of drywall and dimensions of object being hung.
- Maximum thickness of fixture should not exceed 1/8-inch.
- Not intended for use in studs or for ceiling applications.

**Limited Warranty.** These products are sold 'AS IS' without any expressed or implied warranties. Wallclaw Anchor's sole liability, if any, shall be to replace this product or refund the purchase price. The performance of these products is subject to variable conditions. Maximum load ratings are shown for comparison only.



### WallClaw Anchors, LLC

3000 F Danville Blvd, Suite 530 .  
Alamo, CA 94507  
Phone: (925) 658-5742  
Web Site: [www.wallclaw.com](http://www.wallclaw.com)  
E-Mail: [sales@wallclaw.com](mailto:sales@wallclaw.com)